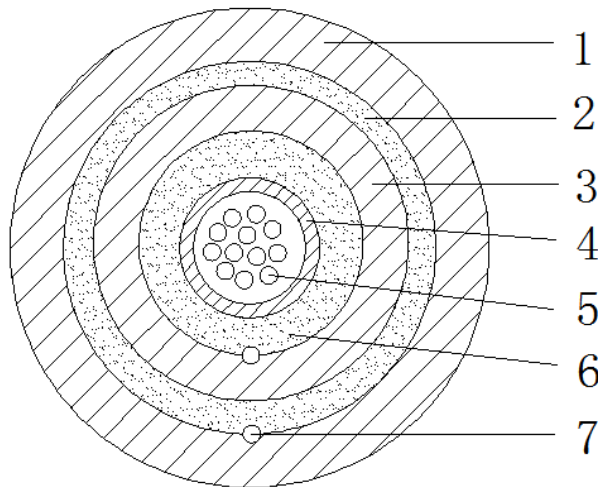


Single Loose Tube Cable (LSZH)

Cable Structure



Mark: 1.Out jacket 2.Water blocking glass yarn 3.Inner jacket 4.Loose tube with gel
5.Fiber 6.Water blocking glass yarn 7.Ripcord

Cable Technical Parameters

Model		GJYFXTH6H
Fiber Count		1/2/4/6/8/12/16/24
Cable	OD(mm)	10.6±0.5
	Material	UV-LSZH
	Color	Black
Inner Cable	OD(mm)	6.8±0.5
	Material	UV-LSZH
	Color	Black
Loose tube	OD(mm)	2.8±0.1
	Material	PBT
Nominal weight(kg/km)		128
Max.tensile Strength(N)	Short-term	2500
	Long-term	800
Min.Bending Radius(mm)	Dynamic	20D
	Static	10D
Max.Crush Resistance (N/100mm)	Short-term	3000
	Long-term	1000
Strength members		Water blocking glass yarn
Environmental Protection		RoHS COMPLIANT
Temperature range	Storage or transportation	-40 ~ 70°C
	Operation	-40 ~ 70°C
	Installation	-20 ~ 60°C