

Star+

4K UHD Optical Fiber HDMI Cable with LED Light Up

Description

HDMI AOC generates high quality digital video signals for the connection between HDMI source and sink devices. It supports 4K60Hz with YCbCr 4:4:4 or RGB color formats.



Besides the HDMI connection, the HDMI AOC is also constructed by colored light on case and cable. It can provide basic 6 colors (RGBCMY) by touch control, and is upgradable to perform any color by APP control with an external dongle.

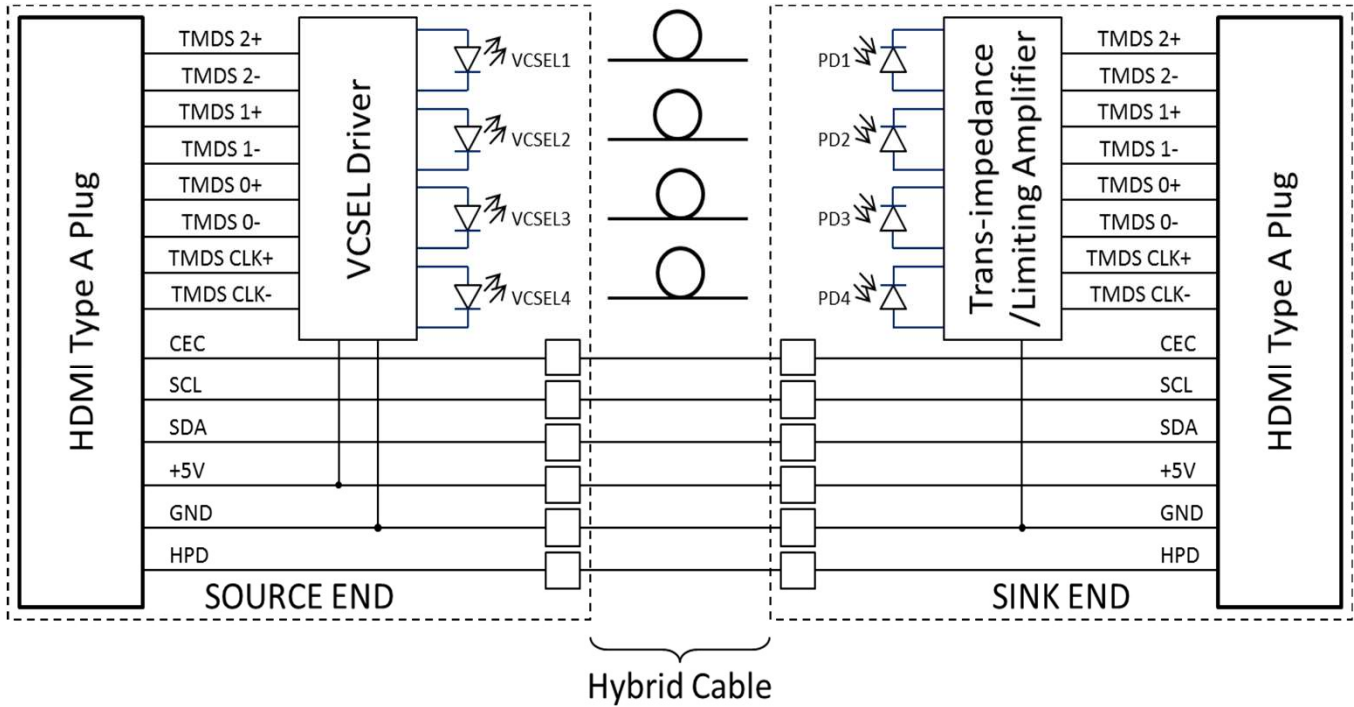
Features

- Support 4K60Hz @ RGB, 8-bit YCbCr 444 and 12-bit YCbCr 422
- High ESD protection at TMDS inputs: 8KV (HBM)
- 3m HDMI link length with lighting cable
- Touch control can switch the light color
- With USB external power
- Extendable for APP control and format detection

Applications

- E-Sport
- Game console
- Home theater

Function Description



Optical and Electrical Characteristics

Parameter	Min	Typ	Max	Unit
Optical wavelength		850		nm
Bit Rate (each channel)		6		Gbps
Inter-pair skew			0.2	ns
Intra-pair skew			30	ps
Differential input/output impedance	80		120	Ω
Supply voltage	4.8	5.0	5.3	V
Supply current			112	mA

Hybrid Cable Specifications

Parameter	Specification	Notes
Minimum Cable Bending Radius	10mm	
Cable Dimensions	9.8mm x 4.0mm	
Cable Jacket	PVC	
Cable Length Tolerance	+0.3/-0m	
Optical fiber	50/125um OM2	4 channels

Environmental Test

Item	Condition
High Temperature Storage	Non-powered, 70°C, 96 hours
Damp Heat	Non-powered, 85°C, 85%RH, 96 hours
High Temperature Operation	Powered, 60°C, 96 hours

Environment Related Substances

Substances	Limit
Cd	< 100 ppm
Hg	< 1000 ppm
Cr ⁶⁺	< 1000 ppm
PBDE	< 1000 ppm
PBB	< 1000 ppm
Pb	< 1000 ppm

* Compliant with EU RoHS (2011/65/EU)